

ATEX ENCLOSURES : CCAIF

MECHANICAL CHARACTERISTICS :

Body and lid : Stainless steel AISI 316L. Cover with hinges for cylindrical joint body fitting system.

Hinges : Stainless steel

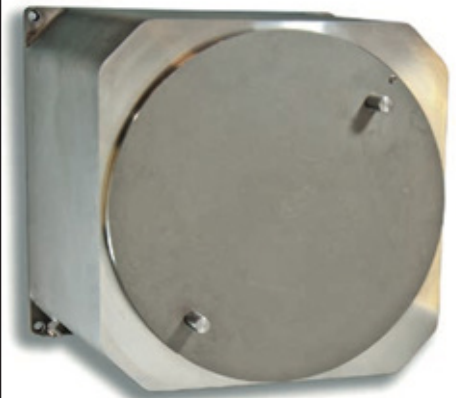
Seal : Resistant to acids, hydrocarbons and high temperatures, located between the body and the lid

Certification label : Adhesive label located inside an empty enclosure; stainless steel label riveted to the body on other versions

Bolts and screws : Stainless steel

Earth screw : Stainless steel. On the side and on the outside of the complete body with anti-rotation supports

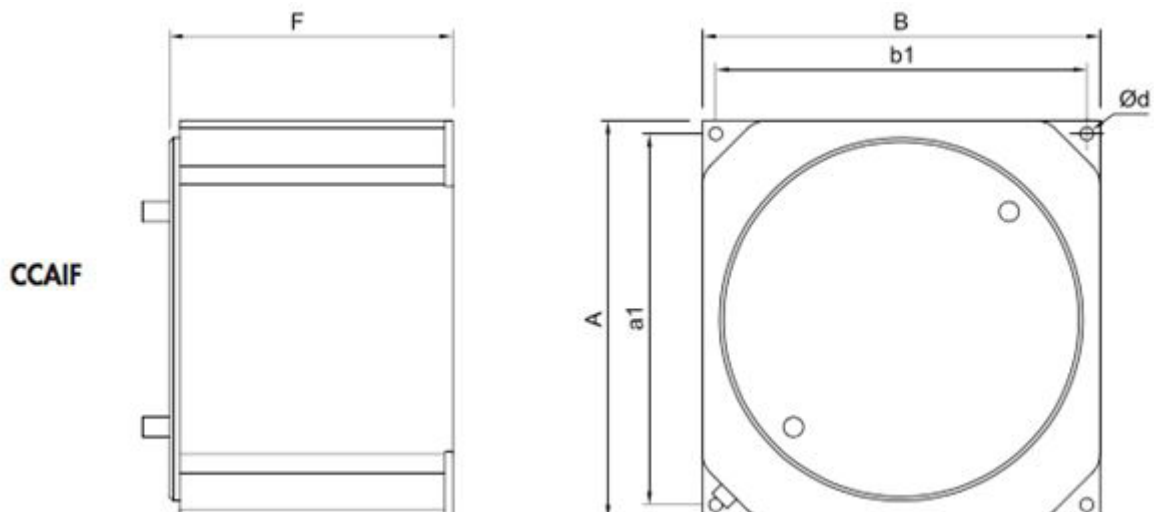
Mounting : Stainless steel lugs



ENCLOSURE SELECTION CHART :

Code	Outside dimensions			Mounting			Weight Kg
	A	B	F	a1	b1	Ød	
CCAIF-2020	200	200	200	180	180	10	
CCAIF-3020	300	300	200	280	280	10	
CCAIF-4030	400	400	300	380	380	12	

DIMENSIONAL PLAN :





ENCLOSURE SELECTION CHART :

Classification:	Group I/II	Category 2GD		
Installation: EN 60079-14	zone 1 - zone 2 (Gas)	zone 21 - zone 22 (Dust)		
Marking:	CE 0722 Ex II 2 GD - Ex db IIC Gb - Ex tb IIIC Db - IP66			
	CE 0722 Ex I M2 - Ex db I Mb			
Certification:	ATEX	CESI 01 ATEX 034U		
	IEC Ex	CES 14.0012U	All IEC Ex certification data can be downloaded from www.cartengroup.com	
	TR CU	AVAILABLE	All TR CU certification data can be downloaded from www.cartengroup.com	
Standards:	CENELEC EN 60079-0: 2009, EN 60079-1: 2007, EN 60439-1, EN 60079-31: 2009, EN 60529: 1991 and EUROPEAN DIRECTIVE 2014/34/UE			
Ambient Temp.:	-20°C +60°C	Standard temperature on all CCAI boxes.		
	-60°C +60°C	Special temperature.		
Degree of protection:	IP66			

ENCLOSURE SELECTION CHART :

Classification:	Group I/II	Category 2GD		
Installation: EN 60079-14	zone 1 - zone 2 (Gas)	zone 21 - zone 22 (Dust)		
Marking:	CE 0722 Ex II 2 GD - Ex d IIC T6, T5 Gb - Ex tb IIIC T85, T100°C Db - IP66			
	CE 0722 Ex I M2 - Ex d I Mb			
Certification:	ATEX	CESI 01 ATEX 035		
	IEC Ex	CES 16.0013X	All IEC Ex certification data can be downloaded from www.cartengroup.com	
	TR CU	AVAILABLE	All TR CU certification data can be downloaded from www.cartengroup.com	
	CCoE	AVAILABLE	All CCoE certification data can be downloaded from www.cartengroup.com	
Standards:	CENELEC EN 60079-0: 2009, EN 60079-1: 2007, EN 60439-1, EN 60079-31: 2009, EN 60529: 1991 and EUROPEAN DIRECTIVE 2014/34/UE			
Ambient Temp.:	-50°C +40°C	With temperature class T6 and maximum surface temperature T85°C.		
	-50°C +55°C	With temperature class T5 and maximum surface temperature T100°C.		
Degree of protection:	IP66			

APPLICATION SECTORS :



Mining



Offshore plants



Onshore plants



Oil refineries



Oil loading/
offloading
wharfs



Fuel depots



Low temperatures



100%
Cortem
product

ACCESSORIES AVAILABLE ON REQUEST :

1.5 mm thick stainless steel internal mounting plate (code K ... 265).
See the accessories section

Possible drilling of the bottom of the enclosure

Breather Code ECD-210S

Drain valve Code ECD-210S

Enclosures with windows on the lid

Thread Options:

- NPT ANSI B1.20.1 threads
- Thread GAS UNI ISO 7-1
- Metric threads ISO 261/96 C