

ATEX ENCLOSURES : EJB WITH OPENING WINDOW

MECHANICAL CHARACTERISTICS :

Body and lid : Low copper aluminum alloy

Hinges : Cast iron (except EJB-01), stainless steel for new models

Cover handle : Black painted steel for EJB-6, 6B and EJB-7, 7B

Seal : acid, hydrocarbon and high temperature resistant silicone, located between the body and the lid

Certification label : Adhesive label located inside an empty enclosure; aluminum label riveted on the lid other versions

Bolts and screws : Stainless steel

Ground screw : Stainless steel M6. Inside and outside the body and on the lid with anti-rotation brackets

Mounting brackets : Electro-galvanized steel (cast aluminum legs for AQS-1)

Coating : RAL 7035 polyester coating (light gray)

Corrosion resistance : The STANDARD of the aluminum alloy used by Cortem has successfully passed the tests required by EN 60068-2-30 (hot / humid cycles) and EN 60068-2-11 (salt spray tests)



K-0253
Ø 90



K-0254
Ø 140

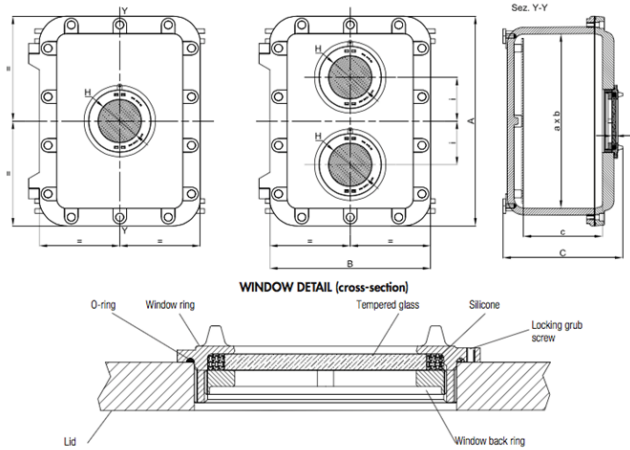


K-0255
Ø 180



Code	Outside dimensions			Inside dimensions			N° of windows	Size of windows			Weight kg
	A	B	C	a	b	c		H	G	i	
EJB-2/1W0	424	224	218	360	160	153	1	90	10	-	
EJB-3/1W0	364	284	278	300	220	213	1	90	10	-	
EJB-3B/1W0	364	284	218	300	220	153	1	90	10	-	
EJB-4/2W0	432	332	299	360	260	233	2	90	10	90	
EJB-4B/2W0	432	332	229	360	260	163	2	90	10	90	
EJB-4/1W2	432	332	299	360	260	233	1	140	12	-	
EJB-4B/1W2	432	332	229	360	260	163	1	140	12	-	
EJB-45/2W0	560	380	298	490	305	229	2	90	10	90	
EJB-45B/2W0	560	380	253	490	305	179	2	90	10	90	
EJB-45/1W2	560	380	298	490	305	229	1	140	12	-	
EJB-45B/1W2	560	380	253	490	305	179	1	140	12	-	
EJB-5/2W0	632	432	341	560	360	275	2	90	10	140	
EJB-5B/2W0	632	432	271	560	360	205	2	90	10	140	
EJB-5/1W2	632	432	341	560	360	275	1	140	12	-	
EJB-5B/1W2	632	432	271	560	360	205	1	140	12	-	
EJB-5/1W3	632	432	341	560	360	275	1	180	15	-	
EJB-5B/1W3	632	432	271	560	360	205	1	180	15	-	
EJB-503/2W0	632	432	397	560	360	330	2	90	10	140	
EJB-503/1W2	632	432	397	560	360	330	1	140	12	-	
EJB-503/1W3	632	432	397	560	360	330	1	180	15	-	
EJB-55/3W0	710	510	356	630	430	273	3	90	10	-	
EJB-55B/3W0	710	510	256	630	430	173	3	90	10	-	
EJB-55/2W2	710	510	356	630	430	273	2	140	12	130	
EJB-55B/2W2	710	510	256	630	430	173	2	140	12	130	
EJB-55/2W3	710	510	356	630	430	273	2	180	15	160	
EJB-55B/2W3	710	510	256	630	430	173	2	180	15	160	
EJB-6/2W0	870	650	480	760	540	353	2	90	10	-	
EJB-6B/2W0	870	650	380	760	540	253	2	90	10	-	
EJB-6/2W2	870	650	480	760	540	353	2	140	12	-	
EJB-6B/2W2	870	650	380	760	540	253	2	140	12	-	
EJB-6/1W3	870	650	480	760	540	353	1	180	15	-	
EJB-6B/1W3	870	650	380	760	540	252	1	180	15	-	
EJB-7/3W0	1000	700	500	890	590	340	3	90	10	-	
EJB-7B/3W0	1000	700	400	890	590	240	3	90	10	-	

CERTIFICATION DATA FOR BOXES WITH TERMINALS :



CERTIFICATION DATA OF ENVELOPES OF CONTROL, MONITORING AND SIGNALING UNITS :

Classification:

Group II

Category 2GD

Installation: EN 60079.14

zone 1 - zone 2 (Gas)

zone 21 - zone 22 (Dust)

Marking:

CE 0722 II2GD - Ex db IIB+H₂ T... Gb - Ex tb IIIC T...°C Db - IP66/67

Certification:

ATEX CESI 01 ATEX 027X

IEC Ex CES 16.0012X

All IEC Ex certification data can be downloaded from www.cortemgroup.com

TR CU AVAILABLE

All TR CU certification data can be downloaded from www.cortemgroup.com

INMETRO DNV 14.0140

All INMETRO certification data can be downloaded from www.cortemgroup.com

Standards:

CENELEC EN 60079-0: 2012, EN 60079-1: 2014, EN 60079-31: 2014, EN 60529: 1991 and EUROPEAN DIRECTIVE 2014/34/UE

Ambient Temp.:

-20°C +40°C

With temperature class T6 and maximum surface temperature T85°C.

-20°C +55°C

With temperature class T5 and maximum surface temperature T100°C.

-60°C on request. (Use indicator light series M-0457AL, M-0457AL/3, M-0457IN or M-0457IN/3)

Degree of protection:

IP66/67

For enclosures without control and signalling devices

IP66

For enclosures with Cortem M-0...-series control gear

APPLICATION SECTORS :



Oil refineries



Chemical and
petrochemical
plants



Onshore
plants



Offshore
plants



Oil loading/
offloading
wharfs



Low
temperatures



Presence of
hydrogen



100%
Cortem
product

ACCESSORIES AVAILABLE ON REQUEST :

Anti-condensation coating RAL 2004 (pure orange)

External polyester coating of different colors (specify RAL number)

Breather Code ECD-210S

Drain valve Code ECD-210S

Round or rectangular windows on the cover (see enclosures with windows for inspection and reading instruments)

Hinges for closures EJB-01 Code K-0351

Internal mounting plate: 2.5 mm thick aluminum (code BFE -...).

Electrogalvanised steel 2.5 mm thick (code BFE -... AC).

Thread Options:

- NPT ANSI B1.20.1 threads
- Thread GAS UNI ISO 7-1
- Metric threads ISO 261/965