

BOITIER ATEX : EJB AVEC FENETRE A OUVERTURE



K-0253
Ø 90

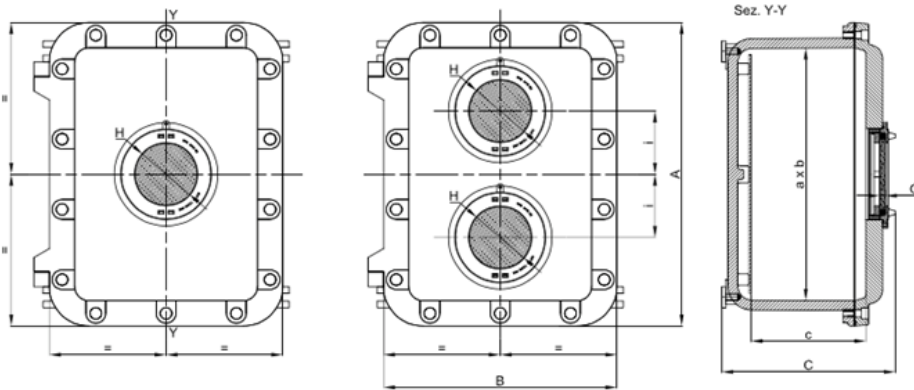


K-0254
Ø 140

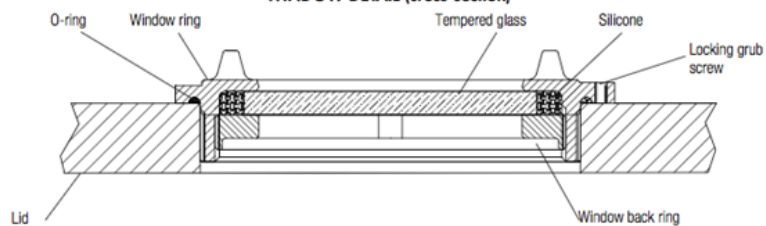


K-0255
Ø 180

DONNEES DE CERTIFICATION POUR LES BOITERS AVEC TERMINAUX :



WINDOW DETAIL (cross-section)





Code	Outside dimensions			Inside dimensions			N° of windows	Size of windows			Weight kg
	A	B	C	a	b	c		H	G	i	
EJB-2/1W0	424	224	218	360	160	153	1	90	10	-	
EJB-3/1W0	364	284	278	300	220	213	1	90	10	-	
EJB-3B/1W0	364	284	218	300	220	153	1	90	10	-	
EJB-4/2W0	432	332	299	360	260	233	2	90	10	90	
EJB-4B/2W0	432	332	229	360	260	163	2	90	10	90	
EJB-4/1W2	432	332	299	360	260	233	1	140	12	-	
EJB-4B/1W2	432	332	229	360	260	163	1	140	12	-	
EJB-4S/2W0	560	380	298	490	305	229	2	90	10	90	
EJB-4SB/2W0	560	380	253	490	305	179	2	90	10	90	
EJB-4S/1W2	560	380	298	490	305	229	1	140	12	-	
EJB-4SB/1W2	560	380	253	490	305	179	1	140	12	-	
EJB-5/2W0	632	432	341	560	360	275	2	90	10	140	
EJB-5B/2W0	632	432	271	560	360	205	2	90	10	140	
EJB-5/1W2	632	432	341	560	360	275	1	140	12	-	
EJB-5B/1W2	632	432	271	560	360	205	1	140	12	-	
EJB-5/1W3	632	432	341	560	360	275	1	180	15	-	
EJB-5B/1W3	632	432	271	560	360	205	1	180	15	-	
EJB-503/2W0	632	432	397	560	360	330	2	90	10	140	
EJB-503/1W2	632	432	397	560	360	330	1	140	12	-	
EJB-503/1W3	632	432	397	560	360	330	1	180	15	-	
EJB-5S/3W0	710	510	356	630	430	273	3	90	10	-	
EJB-5SB/3W0	710	510	256	630	430	173	3	90	10	-	
EJB-5S/2W2	710	510	356	630	430	273	2	140	12	130	
EJB-5SB/2W2	710	510	256	630	430	173	2	140	12	130	
EJB-5S/2W3	710	510	356	630	430	273	2	180	15	160	
EJB-5SB/2W3	710	510	256	630	430	173	2	180	15	160	
EJB-6/2W0	870	650	480	760	540	353	2	90	10	-	
EJB-6B/2W0	870	650	380	760	540	253	2	90	10	-	
EJB-6/2W2	870	650	480	760	540	353	2	140	12	-	
EJB-6B/2W2	870	650	380	760	540	253	2	140	12	-	
EJB-6/1W3	870	650	480	760	540	353	1	180	15	-	
EJB-6B/1W3	870	650	380	760	540	252	1	180	15	-	
EJB-7/3W0	1000	700	500	890	590	340	3	90	10	-	
EJB-7B/3W0	1000	700	400	890	590	240	3	90	10	-	

DONNEES DE CERTIFICATION DES ENVELOPPES DES UNITES DE CONTROLE, DE SURVEILLANCE ET DE SIGNALISATION :

Classification:

Group II

Category 2GD

Installation: EN 60079.14

zone 1 - zone 2 (Gas)

zone 21 - zone 22 (Dust)

Marking:

CE 0722 Ex II2GD - Ex db IIB+H₂T... Gb - Ex tb IIIC T...°C Db - IP66/67

Certification:

ATEX CESI 01 ATEX 027X

IEC Ex CES 16.0012X

All IEC Ex certification data can be downloaded from www.cortemgroup.com

TR CU AVAILABLE

All TR CU certification data can be downloaded from www.cortemgroup.com

INMETRO DNV 14.0140

All INMETRO certification data can be downloaded from www.cortemgroup.com

Standards:

CENELEC EN 60079-0: 2012, EN 60079-1: 2014, EN 60079-31: 2014, EN 60529: 1991 and EUROPEAN DIRECTIVE 2014/34/UE

Ambient Temp.:

-20°C +40°C

With temperature class T6 and maximum surface temperature T85°C.

-20°C +55°C

With temperature class T5 and maximum surface temperature T100°C.

-60°C on request. (Use indicator light series M-0457AL, M-0457AL/3, M-0457IN or M-0457IN/3)

Degree of protection:

IP66/67

For enclosures without control and signalling devices

IP66

For enclosures with Cortem M-0...-series control gear

